



## 2400-2500MHz omnidirectional Antennas

**Frequency:2400-2500MHz, gain:15dBi 12dBi 10dBi 8dBi 6dBi**, omnidirectional antenna is economical yet high performance omnidirectional Wi-Fi antenna designed for the 2.4GHz ISM band. This lightweight omni antenna is ideally suited for IEEE 802.11b, 802.11g and 802.11n wireless LANs, Bluetooth and other multipoint applications where wide coverage is desired. This antenna features an integral N-Female type connector Mounting is easy with a dual u-bolt mast mounting kit, allows installation on masts up to 2.0" in diameter. This omni antenna are DC grounded for lightning protection. fiberglass radome for durability, aesthetics and long service life. It is designed for all weather operation

### Features:

- Superior all weather performance
- Rugged industrial grade design
- Lightweight fiberglass radome
- Integral N-Female connector
- Heavy-duty mounting bracket

### Applications :

- 2.4 GHz ISM Band
- IEEE 802.11b, 802.11g and 802.11n Wireless LAN
- Multipoint Applications

2400-2500MHz omnidirectional antenna series specifications					
Model	ZDAQJ2400-6	ZDAQJ2400-8	ZDAQJ2400-10	ZDAQJ2400-12	ZDAQJ2400-15
Frequency Range	2400-2500MHz	2400-2500MHz	2400-2500MHz	2400-2500MHz	2400-2500MHz
Gain	5dBi	8dBi	10dBi	12dBi	15dBi
Polarization	Vertical	Vertical	Vertical	Vertical	Vertical
Horizontal Beam Width	360 °	360 °	360°	360°	360°
Vertical Beam Width	28 °	22°	18°	10°	8°
VSWR	<1.5	<1.5	<1.5	<1.5	<1.5
Input Impedance	50 ohm	50 ohm	50 ohm	50 ohm	50 ohm
Input Maximum Power	100 W	100 W	100 W	100 W	100 W
Lightning Protection	DC Ground	DC Ground	DC Ground	DC Ground	DC Ground
Connector	N female or customized	N female or customized	N female or customized	N female or customized	N female or customized
Size	21.65in.	31.5in.	43.3in.	51.2in.	70.86in.
Radiating Electrical Material	Cu Ag	Cu Ag	Cu Ag	Cu Ag	Cu Ag
Radome Material	Fiberglass	Fiberglass	Fiberglass	Fiberglass	Fiberglass
Operating Temperature	-40 to 85° C (-40 to 185° F)	-40 to 85° C (-40 to 185° F)	-40 to 85° C (-40 to 185° F)	-40 to 85° C (-40 to 185° F)	-40 to 85° C (-40 to 185° F)
Diameter of Installation Pole	1.2-2in.	1.2-2in.	1.2-2in.	1.2-2in.	1.2-2in.
Weight	1.1 Lbs (0.5 Kg)	1.87Lbs (1.5 Kg)	2.64 Lbs (1.2 Kg)	3.08 Lbs (1.4 Kg)	4.4 Lbs (2 Kg)
Wind Loading: 100MPH 125MPH	3 lb. 8 lb.	9lb. 15lb.	13lb. 20lb.	19lb. 24lb.	25lb. 34lb.

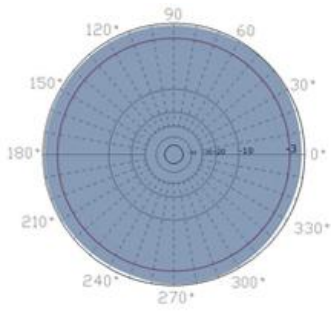




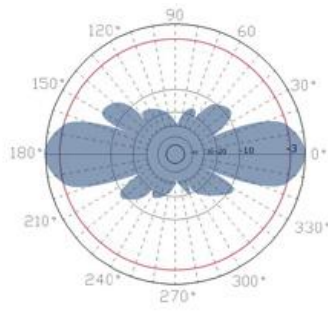
**ZDA COMMUNICATIONS US LLC.**

*wireless antenna solutions*

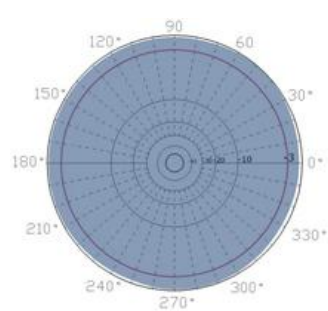
**2400-2500MHz omnidirectional Antennas**



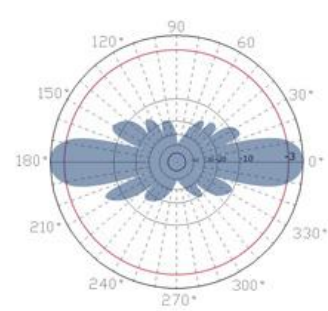
**Horizontal**



**Vertical**



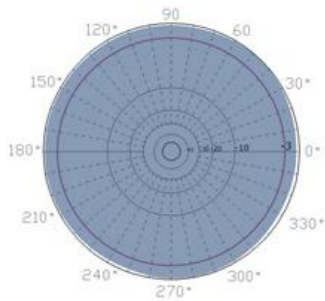
**Horizontal**



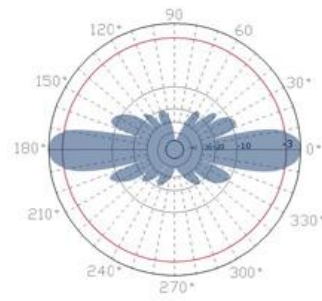
**Vertical**

**ZDAQJ2400-6 Patterns**

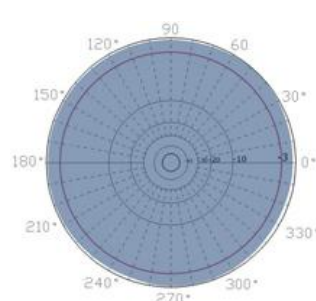
**ZDAQJ2400-8 Patterns**



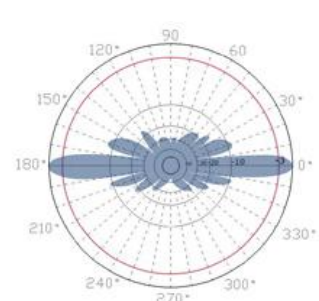
**Horizontal**



**Vertical**



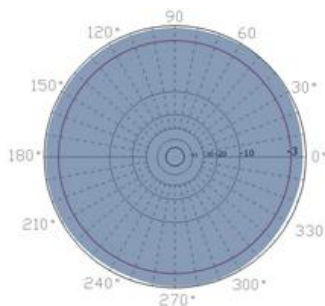
**Horizontal**



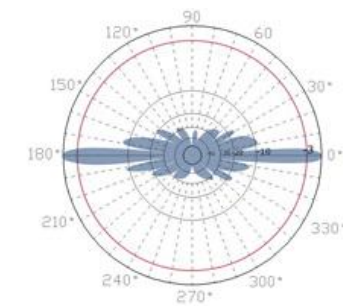
**Vertical**

**ZDAQJ2400-10 Patterns**

**ZDAQJ2400-12 Patterns**



**Horizontal**



**Vertical**

**ZDAQJ2400-15 Patterns**