



3.65GHz Grid parabolic dish Antennas

Frequency:3600-3700MHz, gain:28dBi 23dBi 18dBi , The grid parabolic dish Antenna features excellent front to back ratio. It is ideally suited for directional point to point systems. 3.6-3.7GHz WiMAX bands, Motorola *Canopy* PMP 320

This antenna's construction features a rust-proof die cast aluminum reflector grid for superior strength and light weight. This antenna's 2-piece reflector grid is simple to assemble and significantly reduces shipping costs. The grid surface is UV powder coated for durability and aesthetics. The open-frame grid design minimizes wind loading.

The antenna is supplied with a 60 degree tilt and swivel mast mount kit. This allows installation at various degrees of incline for easy alignment. It can be adjusted up or down from 0 to 60deg.

Features:

- Excellent front to back ratio
- Die-cast aluminum construction
- UV stable light gray powder coat finish
- Easy to assemble
- All weather operation

Applications :

- 3600-3700 MHz WiMAX Band
- Point to point systems
- Motorola PMP 320 NLOS Access Point



ZDAGP3600-28-7



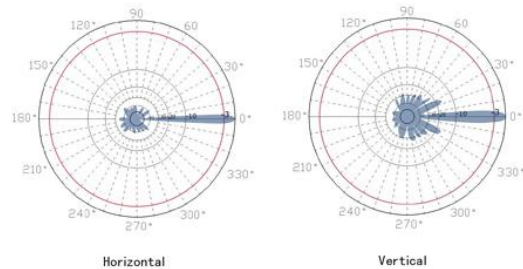
ZDAGP3600-23-12



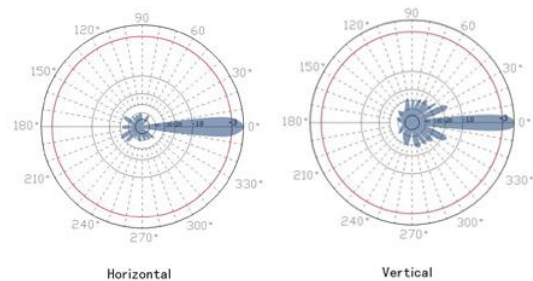
ZDAGP3600-18-16

3.65GHz Grid parabolic dish Antennas

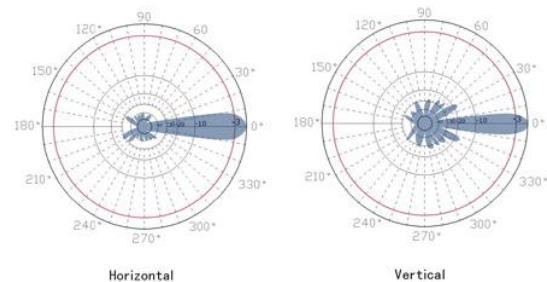
3600-3700MHz Grid parabolic dish antenna series specifications			
Model	ZDAGP3600-28-7	ZDAGP3600-23-12	ZDAGP3600-18-16
Frequency Range	3600-3700MHz	3600-3700MHz	3600-3700MHz
Gain	28dBi	23dBi	18dBi
Polarization	Vertical or Horizontal	Vertical or Horizontal	Vertical or Horizontal
Horizontal Beam Width	7°	12°	32°
Vertical Beam Width	6°	8°	28°
VSWR	<1.5	<1.5	<1.5
Front to back radio	>26dB	>25dB	>20dB
Input Impedance	50 ohm	50 ohm	50 ohm
Input Maximum Power	200 W	200 W	200 W
Lightning Protection	DC Ground	DC Ground	DC Ground
Connector	N female or customized	N female or customized	N female or customized
Size	23.62 x 35.43inches (600 x 900 mm)	23.62 x 15.7 inches (600 x 400 mm)	11.8 x 15.7 inches (300 x 400 mm)
Antenna Material	Aluminum Alloy	Aluminum Alloy	Aluminum Alloy
Radiating Electrical Material	Cu	Cu	Cu
Antenna Structure	Two piece design	Two piece design	
Operating Temperature	-40to 85° C (-40to 185° F)	-40to 85° C (-40to 185° F)	-40to 85° C (-40to 185° F)
Diameter of Installation Pole	1.2-2.3in. (30-60 mm)	1.2-2.3in. (30-60 mm)	1.2-2.3in. (30-60 mm)
Weight	7.7 lbs. (3.5 kg)	5.72 lbs. (2.6 kg)	3.96 lbs. (1.8 kg)
Wind Loading:			
100MPH	80lb.	50lb.	25lb.
120MPH	116lb.	82lb.	37lb.



ZDAGP3600-28-7 Patterns



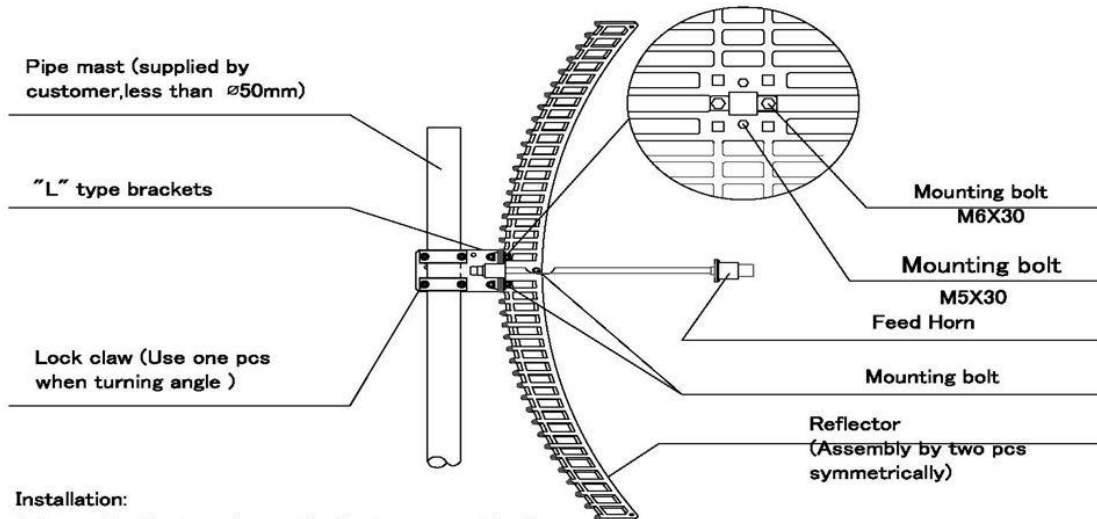
ZDAGP3600-23-12 Patterns



ZDAGP3600-18-16 Patterns

3.65GHz Grid parabolic dish Antennas

Mounting Diagram



Installation:

1. Assembly the two pieces of reflector symmetrically.
2. Mount the feed horn on the reflector according to the Mounting diagram.
Make sure the feed dipoles polarization parallel with most bars of the grid reflector.
When the feed dipoles polarization and most grid bars are vertical to the ground, the antenna is vertical polarized.
When the feed dipole polarization and most grid bars are horizontal to the ground, the antenna is horizontal polarized.
3. Mount the "L" type bracket at the back of the reflector, then mount the antenna on the mast supplied by customer according to the Mounting diagram.
4. Test the antenna with equipment to make sure the antenna receive the best signal by turning the azimuth and pitching angle, then lock all the screws and seal the connector between antenna and cable.